

Description and application

Grilles intake and exhaust have adjustable blades embedded in the front frame in a double row vertical and horizontal.. For use in installation low and medium pressure. Adjusting the angle is manual and the individual for each blade.

Grille has Hygienic Certificate HK/K/0522/02/2016

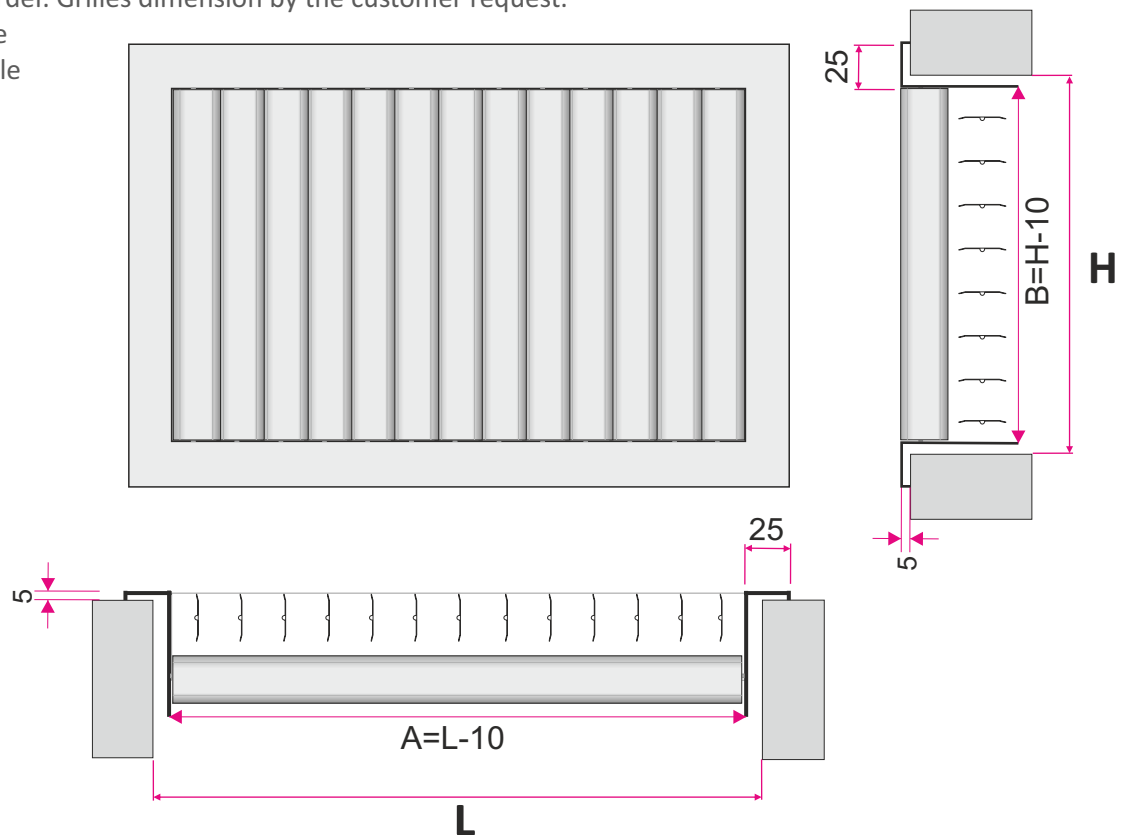
Material and workmanship

The grille is made of galvanized steel sheet powder coated white RAL 9016. On request it is possible to paint in a different color from the RAL palette and made on special stainless steel or aluminum.

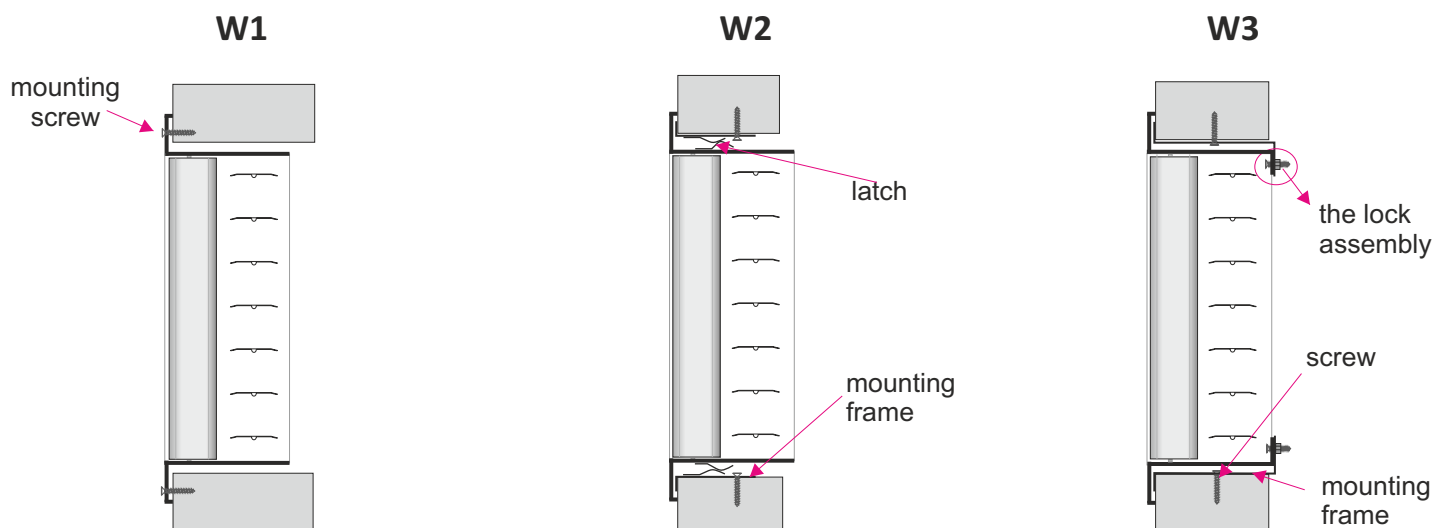
Size

Grilles are manufactured to order. Grilles dimension by the customer request.

L - width of the mounting hole
H - height of the mounting hole



Methods of mounting



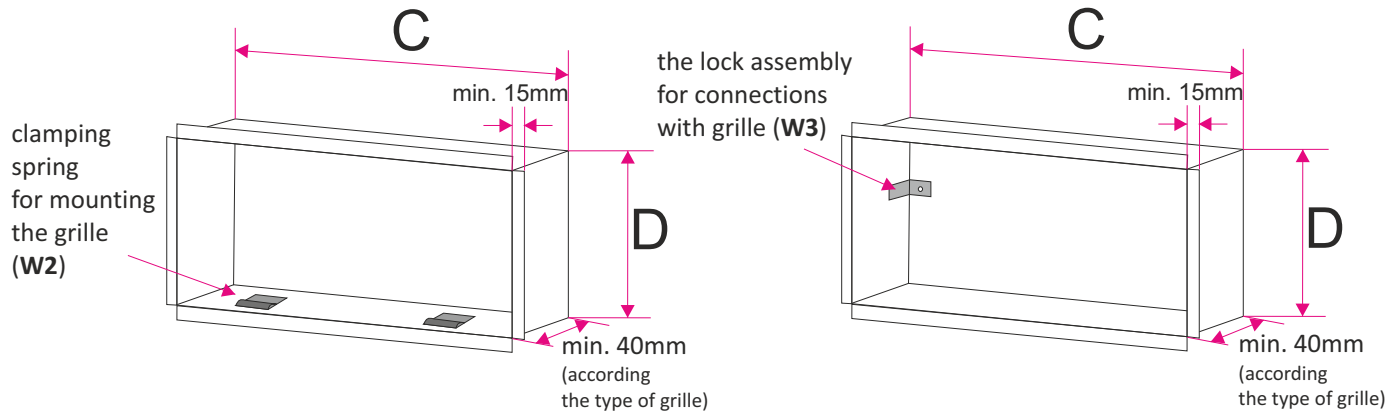
Assembling visible through screws and mounting holes in the grille frame.

Assembling invisible by latches in grille and mounting frame RM or in plenum box.

Assembling invisible by screws and lock assembly in mounting frame RM or in plenum box

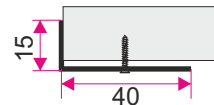
Accessories - RM frame for invisible installation

RM frame used in the ventilation holes for invisible mounting ventilation components. Mounting frame for grilles in standard are made of galvanized steel (in the case of aluminum grilles on request frame can be also aluminum). There is possibility to make mounting frame with a filter.



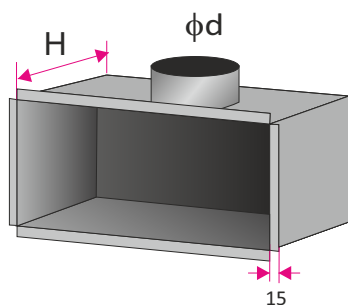
$C = L - 5$
 $D = H - 5$
 LxH - size of mounting hole

Attaching the frame to the wall with mounting hole

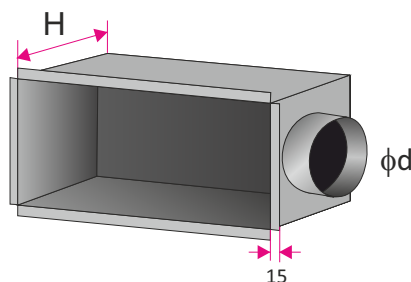


Accessories - plenum box

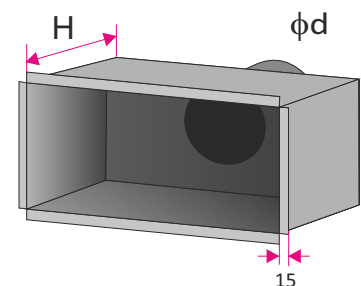
Plenum box is made of galvanized steel. On request it can be equipped with a damper control onto the connected spigot. The plenum box is isolated inside with rubber (acoustic) or outside with mineral wool (thermal). In the standard height of the plenum box is adapted to size of the spigot or diffuser size (you can specify the height of the plenum box).



SR-Gw - plenum box with the spigot on the top



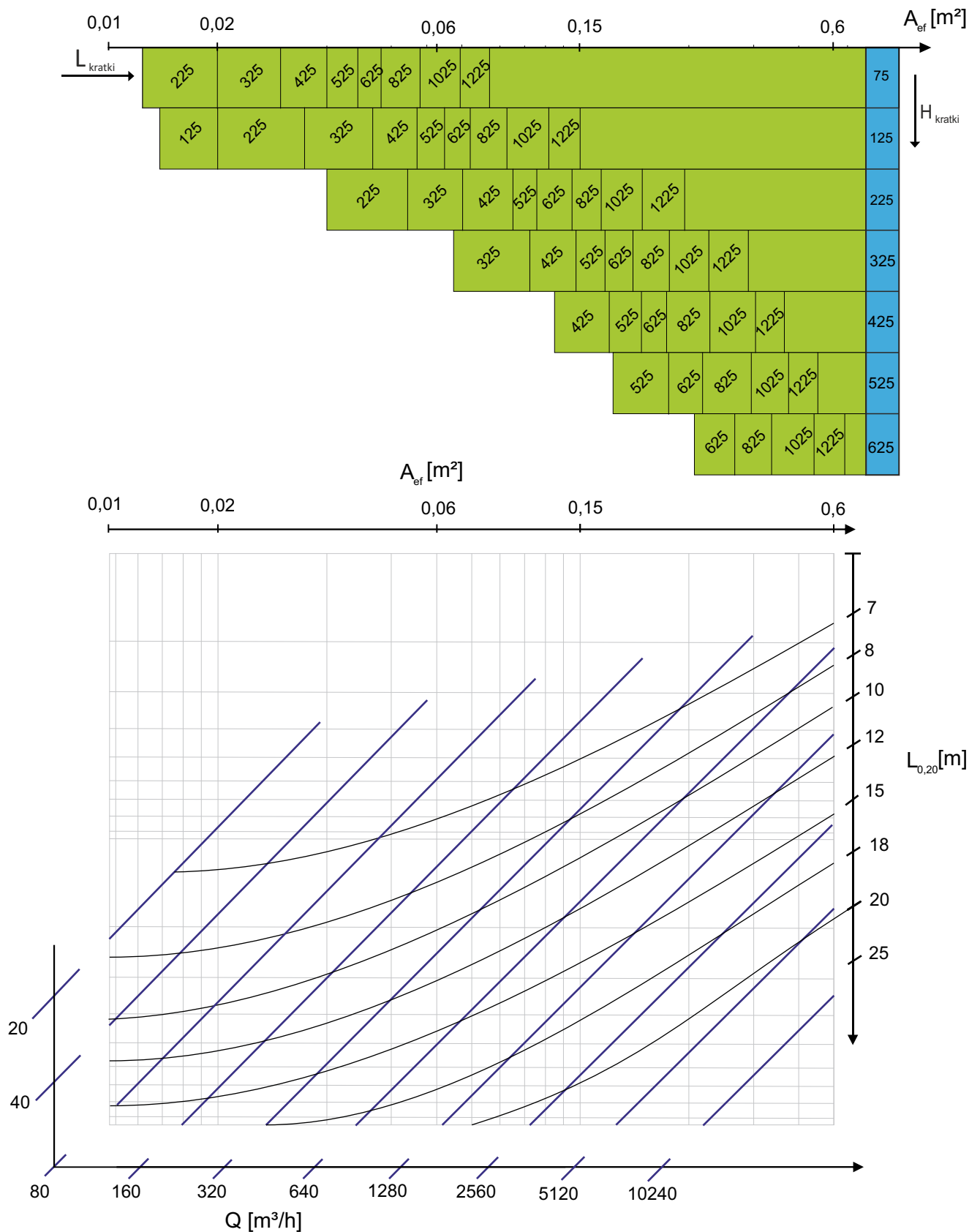
SR-Bw - plenum box with the spigot on the side



SR-Tw - plenum box with the spigot on the back

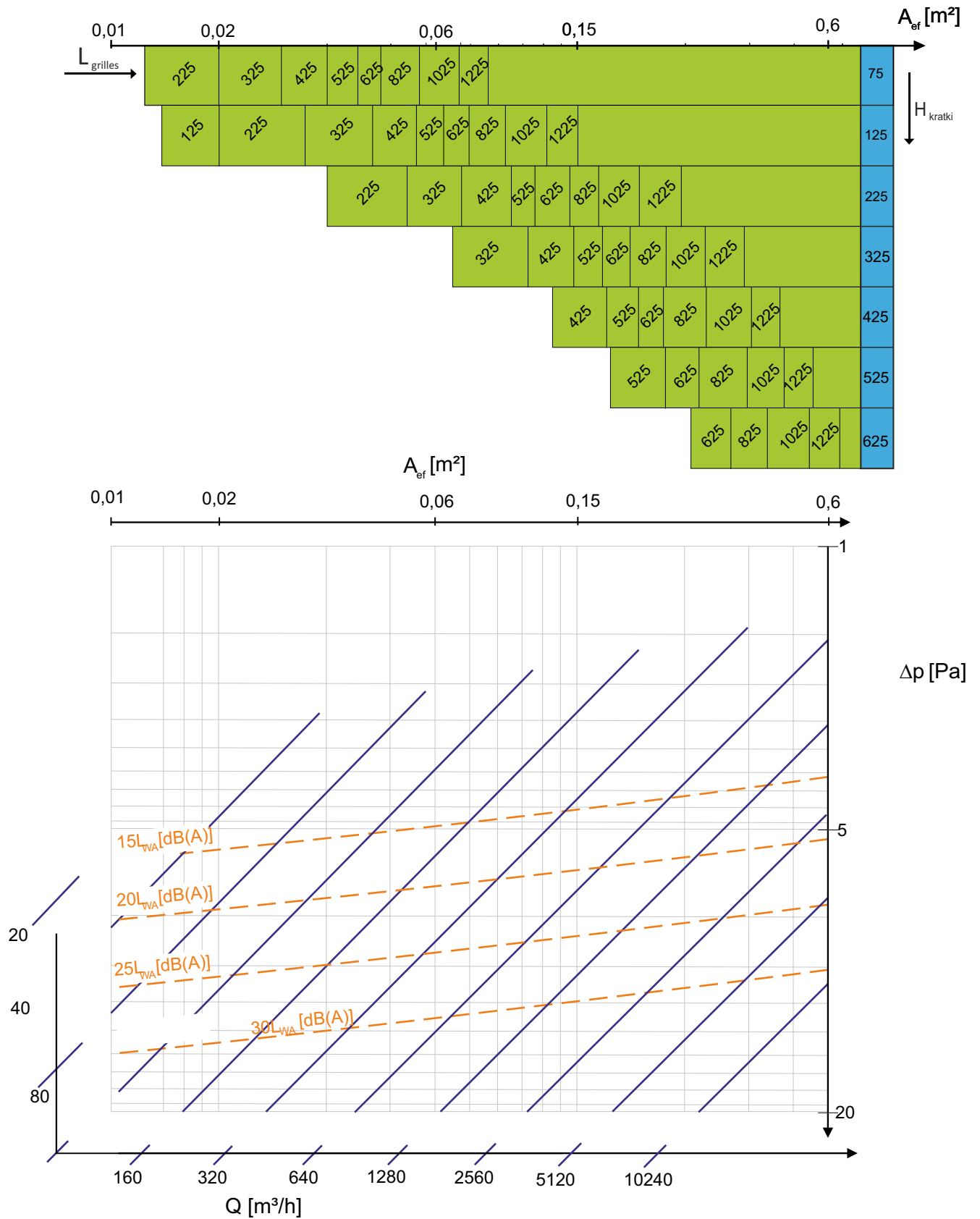
Technical data

Dependence of the stream range with velocity $V = 0,20 \text{ m/s}$ (L 0.2) on the air volume stream (Q) at the grilles with fully open lamellas. The range L 0,2 refers to the distance at which the air velocity does not exceed 0,20 m/s.



Technical data

Dependence of pressure loss (Δp) And sound power level (L_{WA}) on the air volume flow (Q) at the grilles with fully open lamellas.

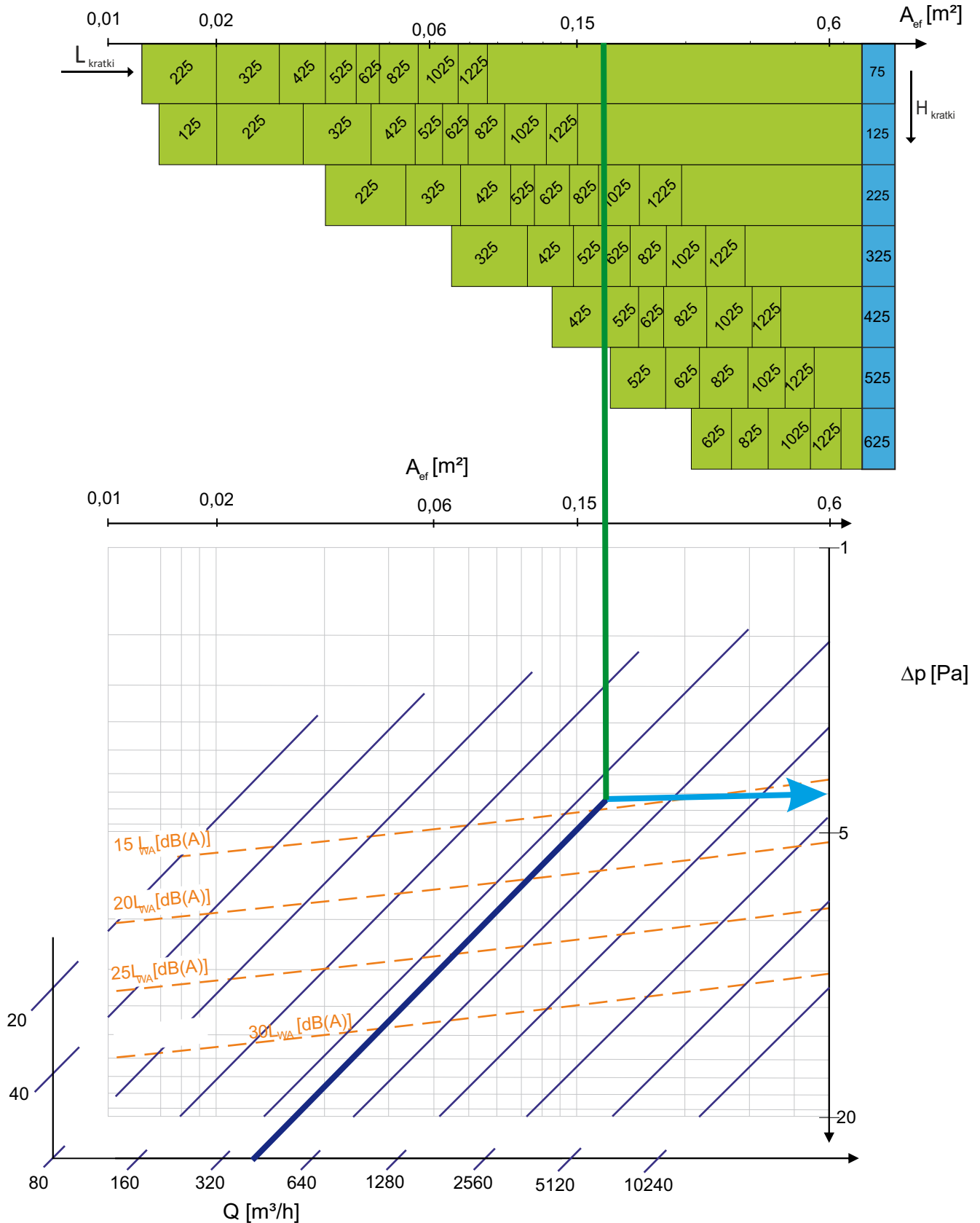


EXAMPLE

- specified air volume flow $Q=400 \text{ m}^3/\text{h}$
- effective area required $A_{ef}= 0,18\text{m}^2$

Reading from the graph:

- suitable grille: 1025x225, 625x325, 425x425
- $A_{ef}= 0,18\text{m}^2$
- pressure drop: 4 Pa
- acoustic power 15 dB



The method of placing an order

Please make orders according to the following formula:

ST-S/W/ 'LxH' / 'RAL' / 'W' / 'M' + 'SR' / 'I' / 'P' / 'K' / 'H₁'

'LxH'	- mounting hole size (width x height) in mm
'RAL'	- grille color according to RAL palette (standard RAL9016*)
'W'	- material: ST - powder coated steel* AL - aluminum powder coated KO - stainless steel / acid proof steel (type 1.4301 or 1.4404))
'M'	- mounting option: W1 - visible assembly through screws in holes in grille front frame W2 - invisible mounting using latch springs and additional mounting frame W3 -invisible assembly using screws, and an additional mounting frame
'SR'	- plenum box: SR-Gw - plenum box with top spigot connection SR-Bw - plenum box with side spigot connection SR-Tw - plenum box with back spigot connection
'I'	- isolation: none - plenum box without isolation* Iz - outside isolation (thermal) Iw - inside isolation (acoustic)
'P'	- adjustment damper at spigot connection: none - no damper* P - damper on spigot connection adjustable from the outside PP - damper on spigot connection adjustable from the inside
'K'	- diameter spigot connection in size mm
'H₁'	- the height of the plenum box in mm*

* - If you don't give the information will be used standard parameters.