

Description and application

Manifold cabinet is cabinet covering, designed for mounting manifolds (floor heating, radiators and other type). Functions as both an aesthetic and protective against damage or interference unauthorized persons. Dimension of the cabinet should be selected to manifold size. Cabinets made from acid resistant steel allow you to install them in high humidity areas, especially exposed to corrosion or high requirements for use specific materials (swimming pools, public catering and health services).

Protective cabinets has Hygienic Certificate

Material and workmanship

Cabinets are made of galvanized steel powder-coated in white RAL 9016 (in the case of manifold cabinets under plaster painted is only front part). On request it is possible to make cabinets from stainless steel (type 1.4301 or 1.4404). Due to the installation location manifold cabinets are divided to: cabinets under plaster, cabinets over plaster, access doors . Doors are equipped with a coin turn camlock or open by patent key. The standard door is put out from the cabinet (removable) - on request it is possible to mount the door opened on its hinges. The manufacturer reserves the right to make technological changes.

Size

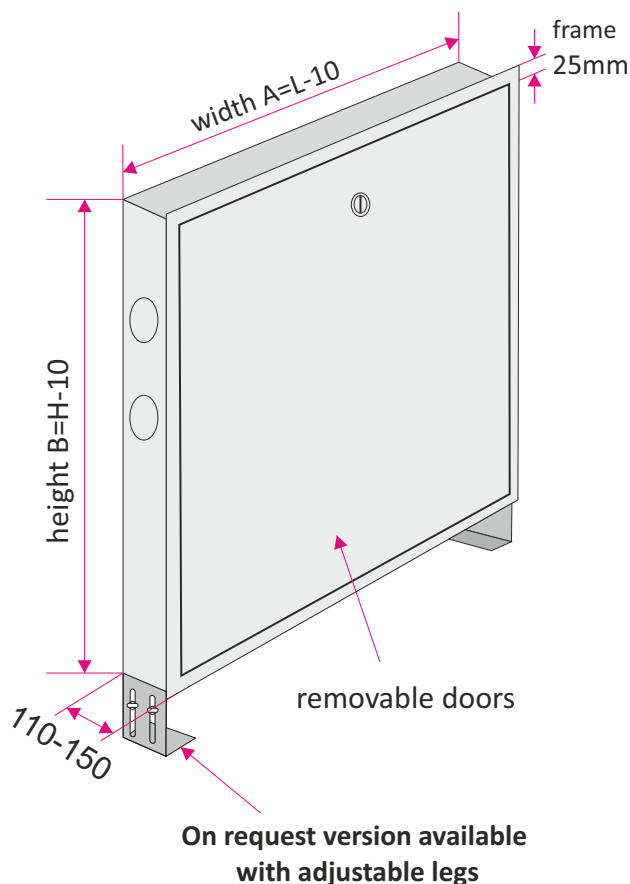
Manifold cabinets are manufactured to order. Dimension cabinets by the customer request

L - width of the mounting hole

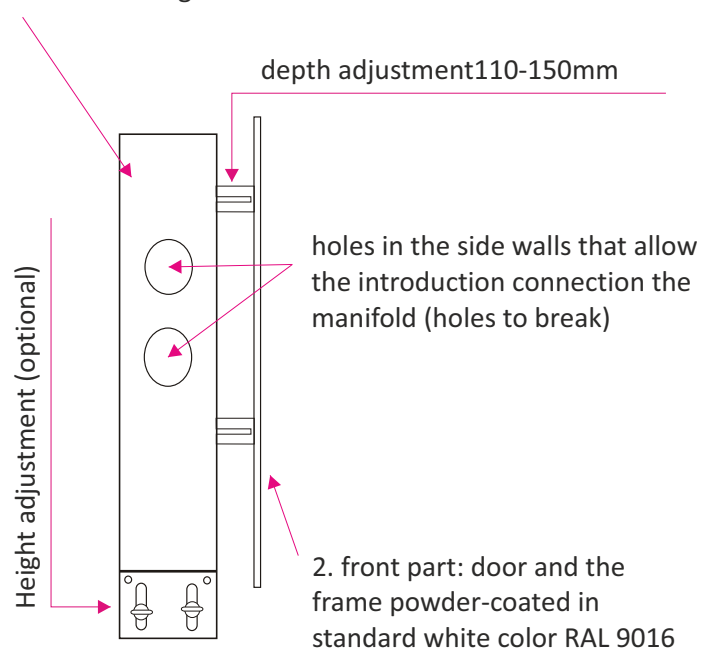
H - height of the mounting hole

CABINETS UNDER PLASTER

Cabinet under plaster is designed to be built into the wall.



1. back part: box made of galvanized steel



Cabinets manufactured based on the given dimensions of the wall niche LxH.

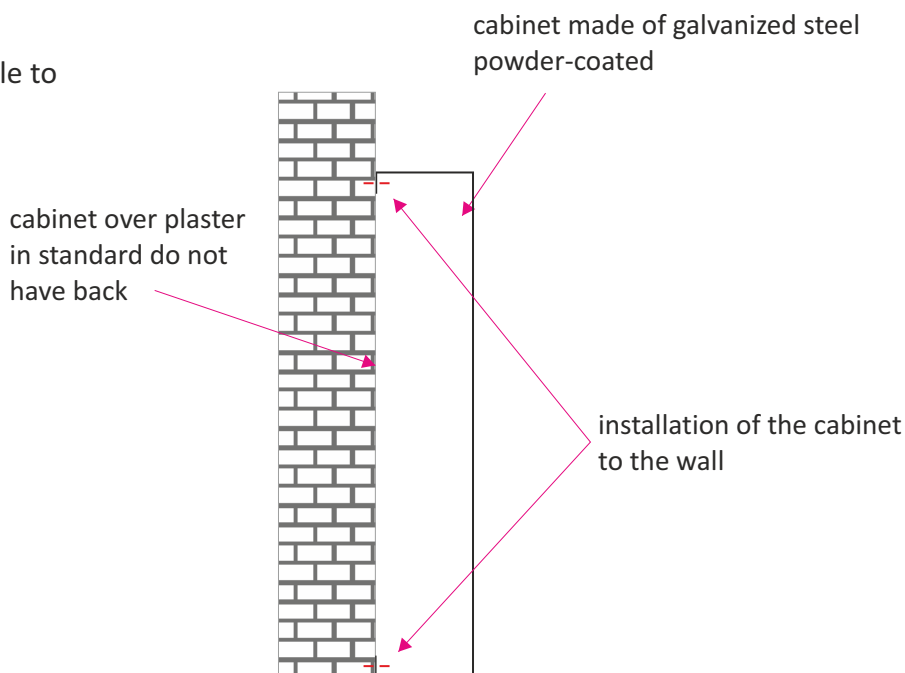
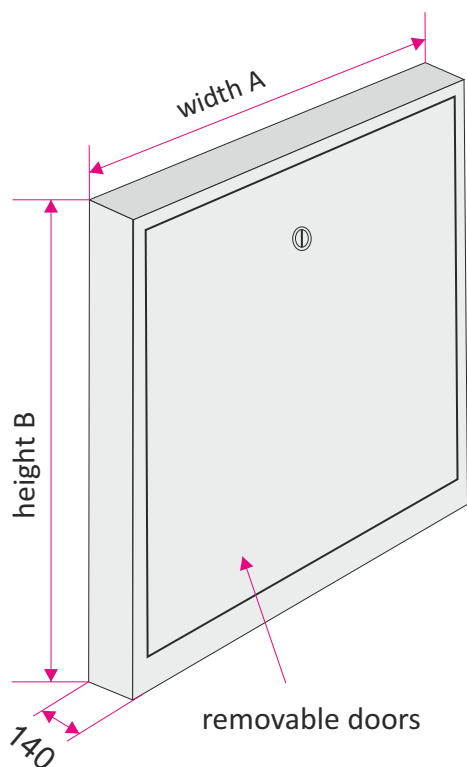
Example dimensions of the cabinets

Size	1	2	3	4	5
mm					
Quantity heating circuits	2-4	5-8	6-9	9-12	13-16
width A	450	530	680	830	1030
height B	705-805	705-805	705-805	705-805	705-805

Size continued

CABINETS OVER PLASTER

Cabinet over plaster are use if it is not possible to make a niche in the wall.

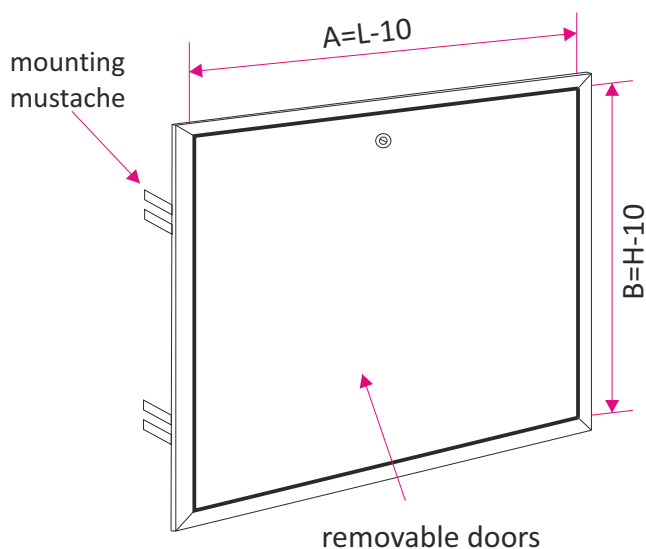


Example dimensions of the cabinets

Size	1	2	3	4	5
mm					
Quantity heating circuits	2-4	5-8	6-9	9-12	13-16
width A	450	530	680	830	1030
height B	675	675	675	675	675

ACCESS DOORS

Access doors are designed for installation in wall niche. Consists frame fixed to a side wall of the wall niche and doors equipped with a coin turn camlock or open by patent key. The cabinet is powder coated in any color from RAL palette (standard RAL 9016).



L - width of the mounting hole
H - height of the mounting hole

Cabinets manufactured based on the given dimensions of the wall niche LxH.

Example dimensions of the cabinets

Size	1	2	3	4	5
mm					
Quantity heating circuits	2-4	5-8	6-9	9-12	13-16
width A	460	540	690	840	1040
height B	450	450	450	450	450

The method of placing an order

Please make orders according to the following formula:

SzR- 'R' / 'LxH' / 'G' / 'RAL' / 'M'

'R'	- type of cabinet: P - cabinets under plaster N - cabinets over plaster W - access doors
'LxH'	- mounting hole size (width x height) in mm
'G'	- depth of the cabinet
'RAL'	- color according to RAL palette (standard RAL9016*)
'M'	- material: OC - galvanized steel* AL - aluminum KO - stainless steel (type 1.4301 or 1.4404)

* - If you don't give the information will be used standard parameters.

* - In case of special conditions at place of mounting please give such information (for example: no rear or bottom wall)